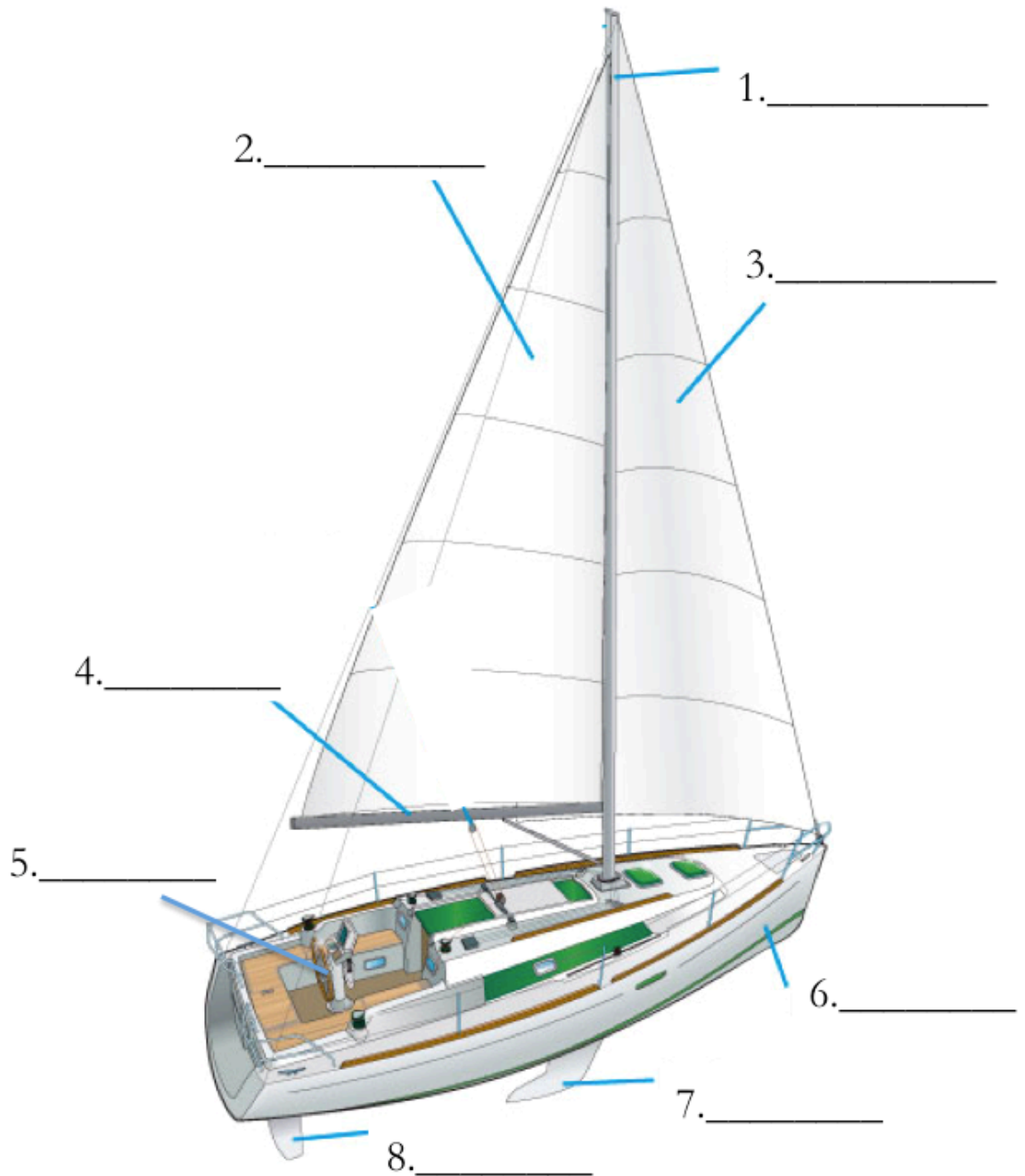


Exercise: Sailboat Parts Identification

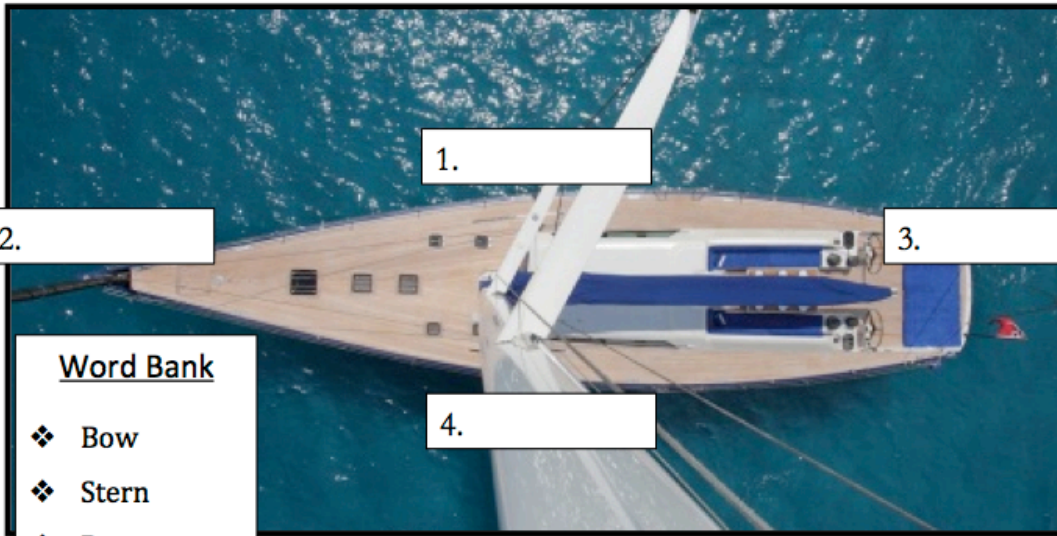
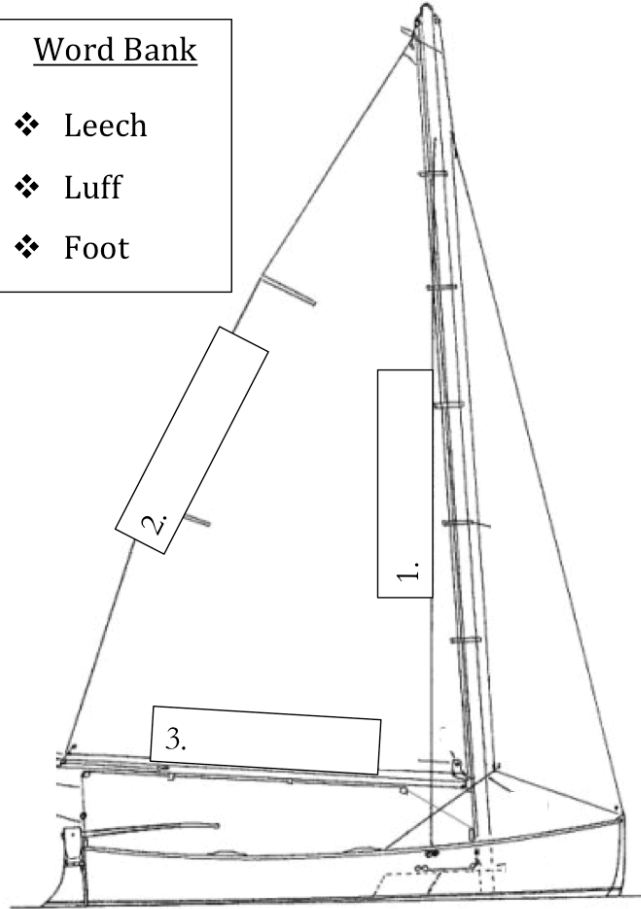
Word Bank

- ❖ Boom
- ❖ Mast
- ❖ Keel
- ❖ Hull
- ❖ Jib
- ❖ Mainsail
- ❖ Rudder
- ❖ Wheel



Word Bank

- ❖ Leech
- ❖ Luff
- ❖ Foot



Word Bank

- ❖ Bow
- ❖ Stern
- ❖ Port
- ❖ Starboard